

CHOCOLATE AND FONDANT PUMPS



The Baynflax Cambridge Range of Chocolate Pumps can be used either in unit machines, such as Enrobers, for transfer pumping between unit machines and storage vessels, or for large volume

applications such as bulk tanker unloading. When used with Fondant the pumps are supplied with hardened internal parts and vanes in order to suit the abrasive nature of Fondant.

CAPACITY

3 Tonnes per hour to 18.5 Tonnes per hour in size range 1.1/2", 2" and 3".

DUTY

Motorised gear reducers can be rated for either 8 hour or 24 hour continuous use depending upon the application.

CONSTRUCTION

Cast iron construction with internal water jackets and replaceable liners and vanes.

HEATING

Through either water circulation in the jacket or by pencil heater in the pump base.

PROCESSES

Positive displacement sliding vane type low speed ensuring no carbonisation of the chocolate or fondant.

CONFIGURATION

Supplied as either bare shaft or motorised mounted on stainless steel baseplate.



CHOCOLATE AND FONDANT PUMPS

CAPACITY

Performance figures given for Chocolate are based on a fixed rotor speed of 103 rpm when pumping chocolate having a specific gravity in the order of 1.3 against a static head of 3 metres with the pump having a flooded suction.

DRIVES

Motor selection is based upon the required pumping capacity together with the total pumping head needed for the application. Gearbox selection is based upon either 8 hour or 24 hour continuous operation.

MOUNTING

Motorised pumps can be supplied with standard in line motor baseplates or with the motor and gearbox mounted over the pump.

FONDANT

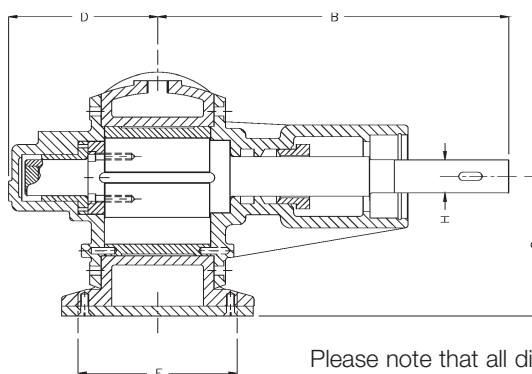
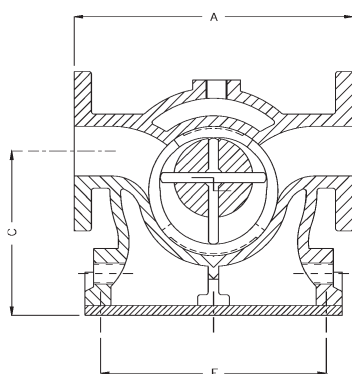
For fondant applications the pumps are supplied with special stainless steel drain plugs for wash water drainage.

PROTECTION

All motorised pumps are provided with a shear pin coupling as standard

SIZE Inches	A mm	B mm	C mm	D mm	E mm	F mm	G mm	H mm	DIA mm	FLANGE BOLTS mm	P.C.D mm	NETT WT Kgs	OUTPUT at 103 rpm Chocolate Kgs/Min	Chocolate Tonnes/Hr	Approx Kw Required
1.1/2	232	306	132	114	178	143	116	25	133	4x12	98	28	50	3	2.2
2	267	335	157	146	216	152	133	32	152	4x16	114	41	92	5.5	2.2to4
3	330	438	179	208	267	178	184	44	184	4x16	146	93	308	18.5	4to5.5

PUMP SIZE	DUTY RATING	DRIVE SIZE	BASE LENGTH	SIZE WIDTH	OVERALL LENGTH	OVERALL WIDTH	INLET C/L TO FLOOR
1.1/2	8	2.2	934	400	1061	400	207
1.1/2	24	2.2	934	400	1061	400	207
2	8	2.2	934	400	1112	400	234
2	24	2.2	934	400	1112	400	234
2	8	4	934	400	1147	400	234
2	24	4	934	400	1191	400	239
3	8	4	1034	400	1258	400	254
3	24	4	1034	400	1302	400	254
3	8	5.5	1034	400	1347	400	254
3	24	5.5	1208	400	1437	400	256



Please note that all dimensions are subject to variation dependant upon drive used.